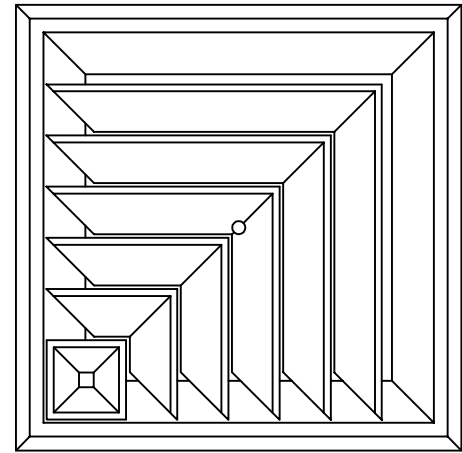
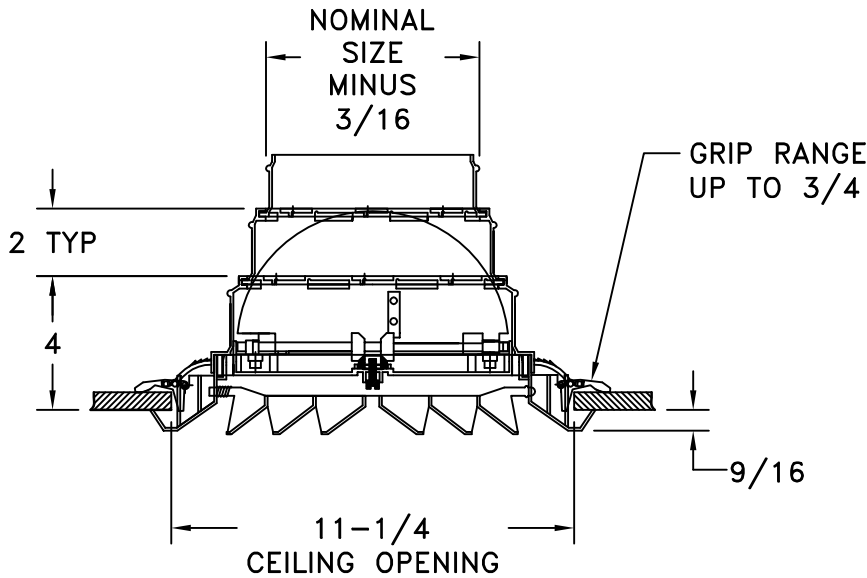
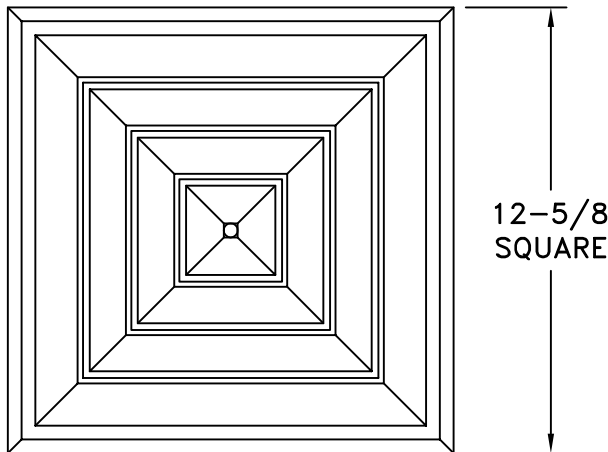


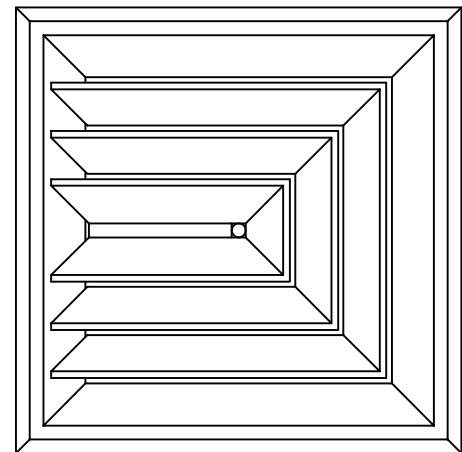
- ENGINEERED UV RESISTANT POLYMER CONSTRUCTION
- REMOVABLE CORE
- RATCHETING CAM LOCK CEILING ATTACHMENT
- TIE STRAP INCLUDED
- INTEGRAL 6, 7 AND 8 INCH COLLARS WITH FLEX DUCT BEAD
- BUILT IN BUTTERFLY DAMPER



**2-WAY CORNER**



**4-WAY**



**3-WAY**

JOB NAME: _____	SUBMITTED BY: _____	DATE: 05/08/2014   RZ-2158
LOCATION: _____		<b>REZZIN SQUARE</b>
ARCHITECT: _____		Ceiling Diffuser
ENGINEER: _____		
CONTRACTOR: _____		