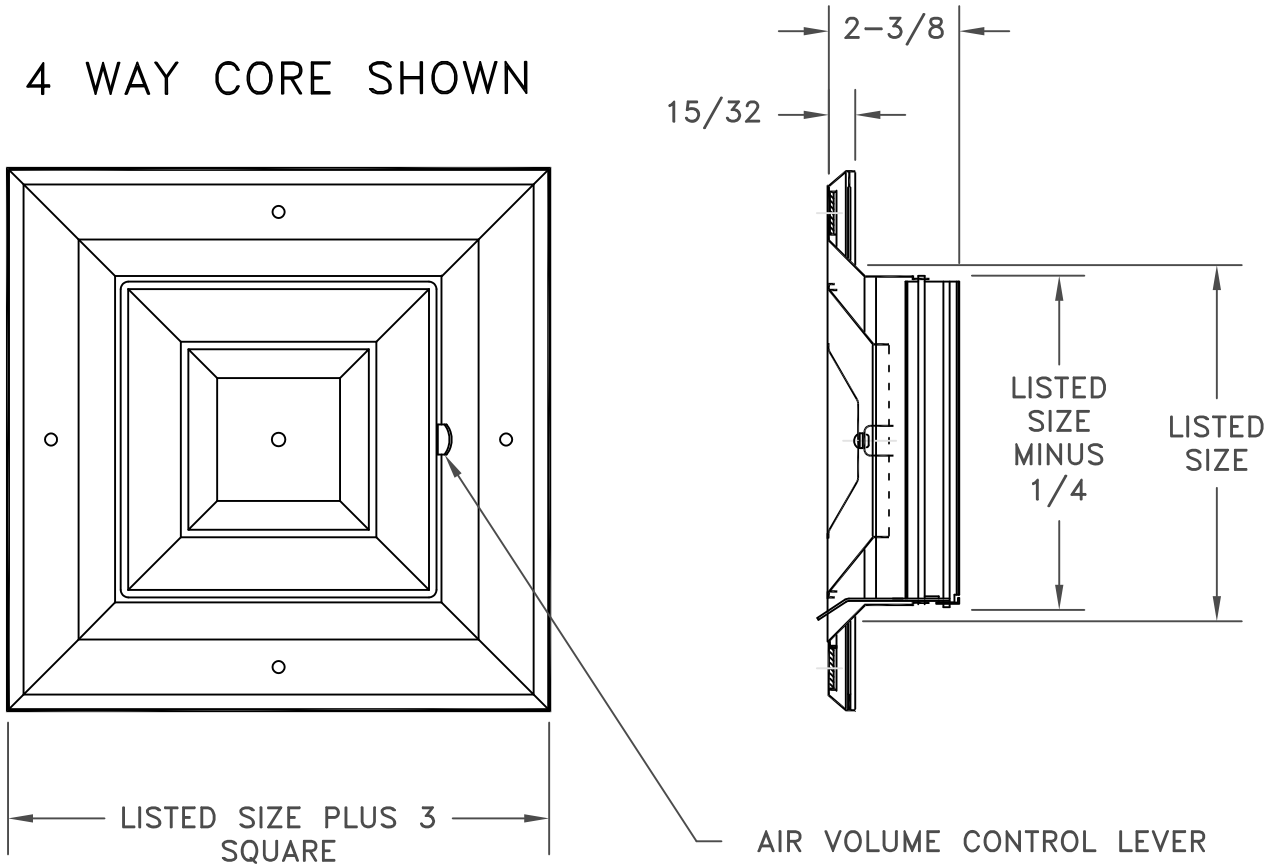


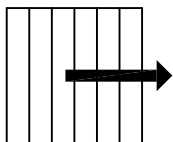
- INTEGRAL MULTI-SHUTTER DAMPER
- AVAILABLE IN SIZES 6 X 6 THROUGH 14 X 14 IN 2 INCH INCREMENTS
- FINISH: WHITE (W) ENAMEL

4 WAY CORE SHOWN

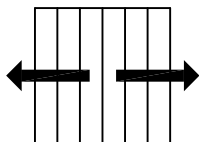


FLOW PATTERNS

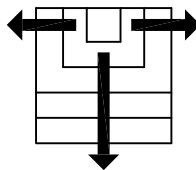
1 WAY
A1001-OB



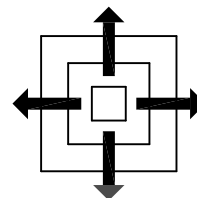
2 WAY
A1002-OB



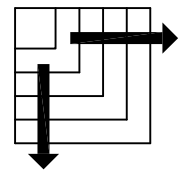
3 WAY
A1003-OB



4 WAY
A1004-OB



2 WAY
CORNER
A1005-OB



JOB NAME: _____
 LOCATION: _____
 ARCHITECT: _____
 ENGINEER: _____
 CONTRACTOR: _____

SUBMITTED BY: _____

DATE: 05/06/2019 | AM-1000OB

A1000OB
 Aluminum Square Diffuser
 With Opposed Blade Damper