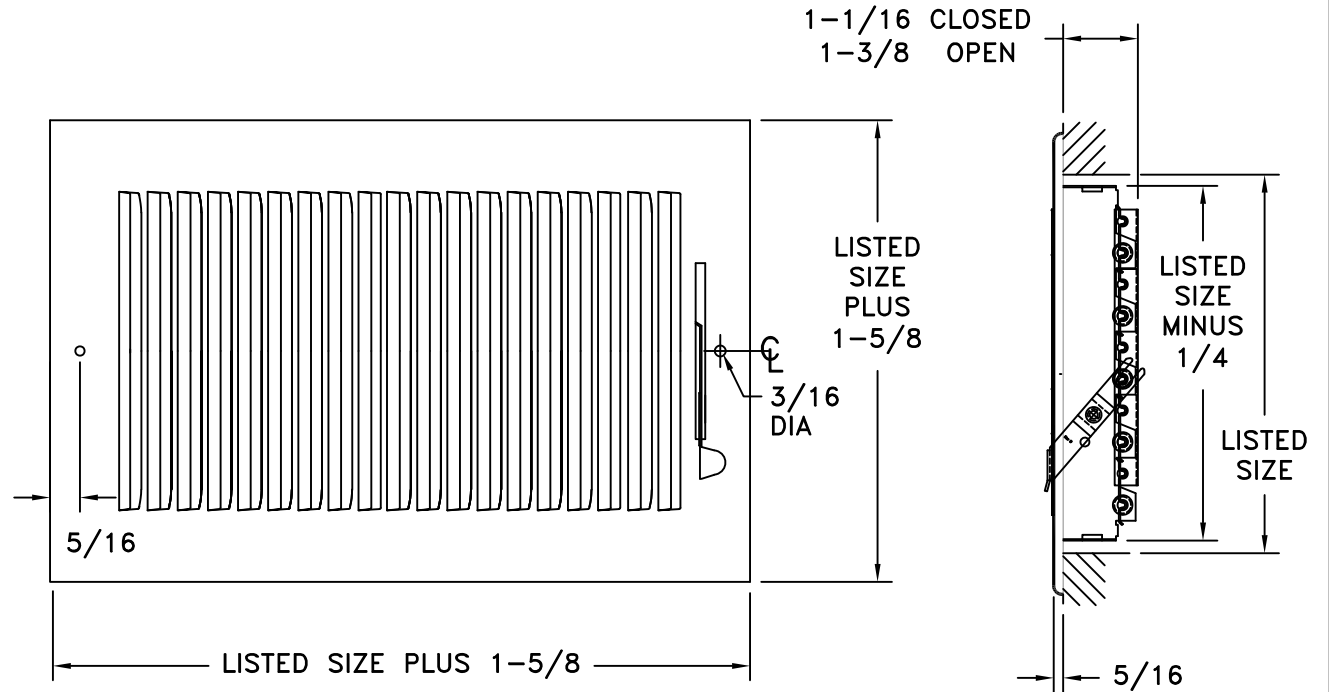
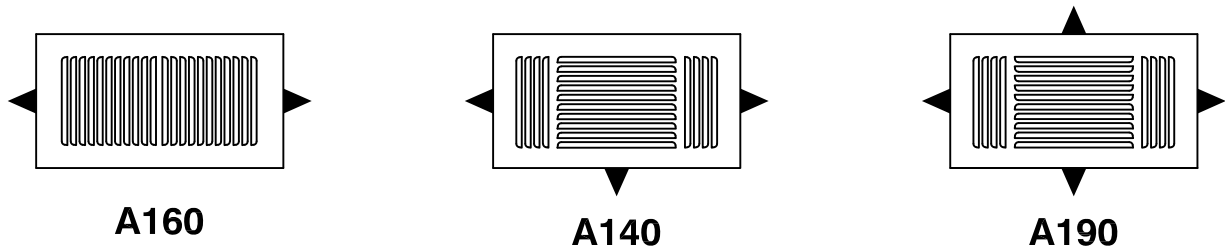


- ALL ALUMINUM CONSTRUCTION
- INTEGRAL ALUMINUM MULTI-SHUTTER DAMPER
- 1/2 INCH SPACED FINS SET AT 40 DEGREES
- SIZES OFFERED VARY BY FACE STYLE
- FOR HEATING OR COOLING
- FINISH: CEILING WHITE (CW)



A180RMS-ONE WAY THROW RIGHT
A180LMS- ONE WAY THROW LEFT



DAMPER AND DIMENSIONS ARE TYPICAL FOR ALL DEFLECTIONS

JOB NAME: _____	SUBMITTED BY: _____	DATE: 08/11/2023	AM-A100
LOCATION: _____		SERIES 100 Stamped Aluminum Ceiling Or Sidewall Register	
ARCHITECT: _____			
ENGINEER: _____			
CONTRACTOR: _____			