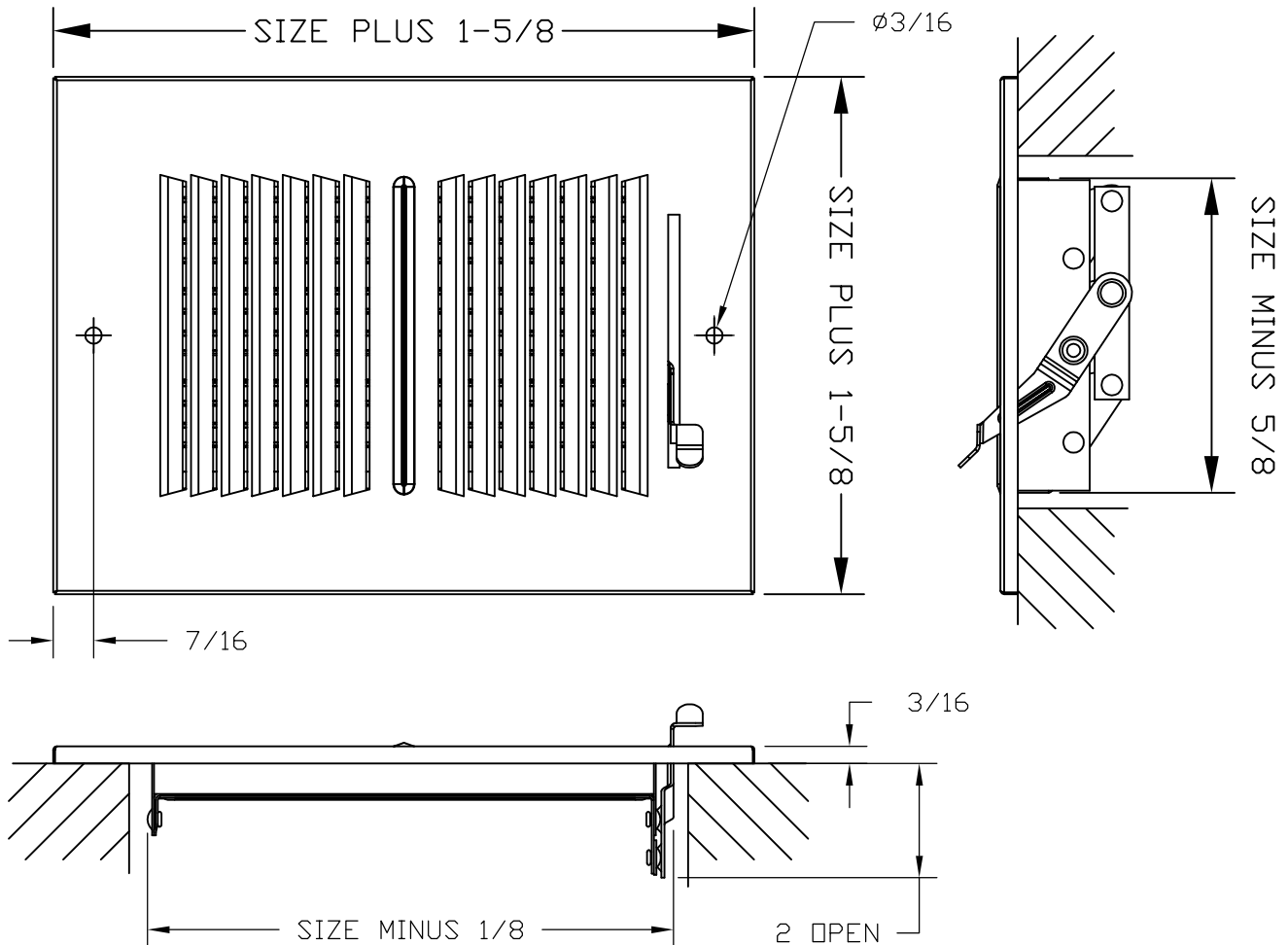


# AIRMATE

# SUBMITTAL DRAWING

- 163 STEEL-A163 ALUMINUM FACE
- INTEGRAL STEEL MULTI-SHUTTER DAMPER
- 1/3 INCH SPACED FINNS SET AT 45 DEGREES
- CAN BE USED FOR CEILINGLS OR SIDEWALLS, HEATING OR COOLING
- FINISH: CEILING WHITE (CW) ENAMEL



JOB NAME: _____	SUBMITTED BY: _____	DATE: 11/06/2020	AM-163/A163
LOCATION: _____		<b>163/A163</b> 2-Way Register 1/3" Spaced Fins	
ARCHITECT: _____			
ENGINEER: _____			
CONTRACTOR: _____			