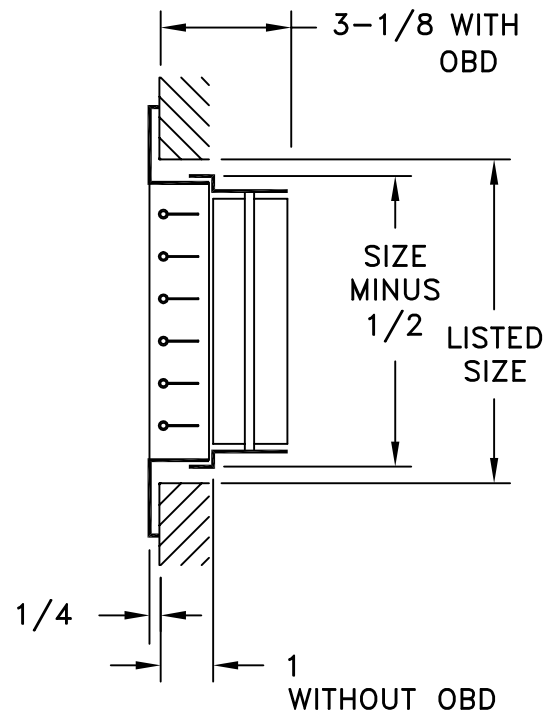
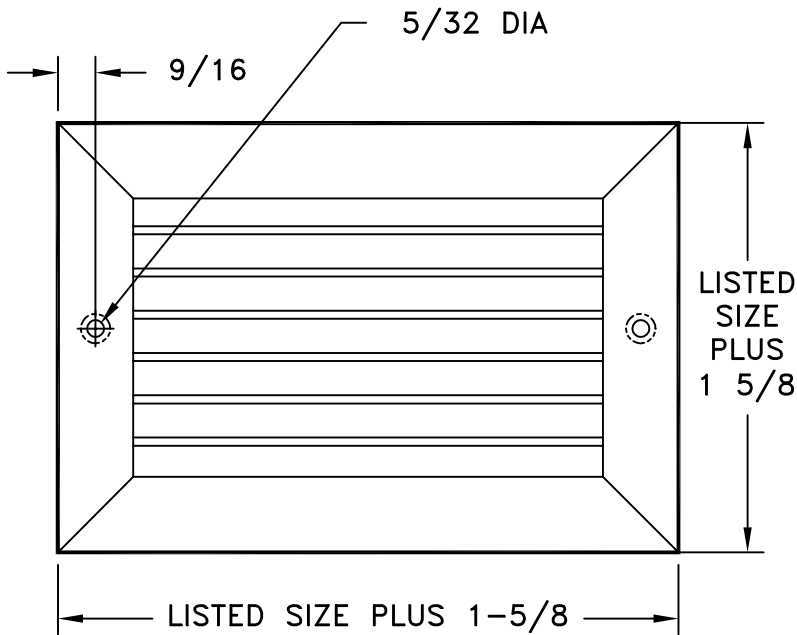


- STEEL FACE AND DAMPER CONSTRUCTION, BLADES ARE ALUMINUM.
- SCREW DRIVER OPERATED OPPOSED BLADE DAMPER
- INDIVIDUALLY ADJUSTABLE BLADES, 13/16" FIN SPACING
- FINISH: BRIGHT WHITE OR PAINTED ALUMINUM



MODELS AVAILABLE

- 200H/200HO
- 200V/200VO

JOB NAME: \_\_\_\_\_

LOCATION: \_\_\_\_\_

ARCHITECT: \_\_\_\_\_

ENGINEER: \_\_\_\_\_

CONTRACTOR: \_\_\_\_\_

SUBMITTED BY: \_\_\_\_\_

DATE: 08/12/2014 | AM-200V/200H

**200 SERIES**  
Single Deflection Register With  
OBD Option