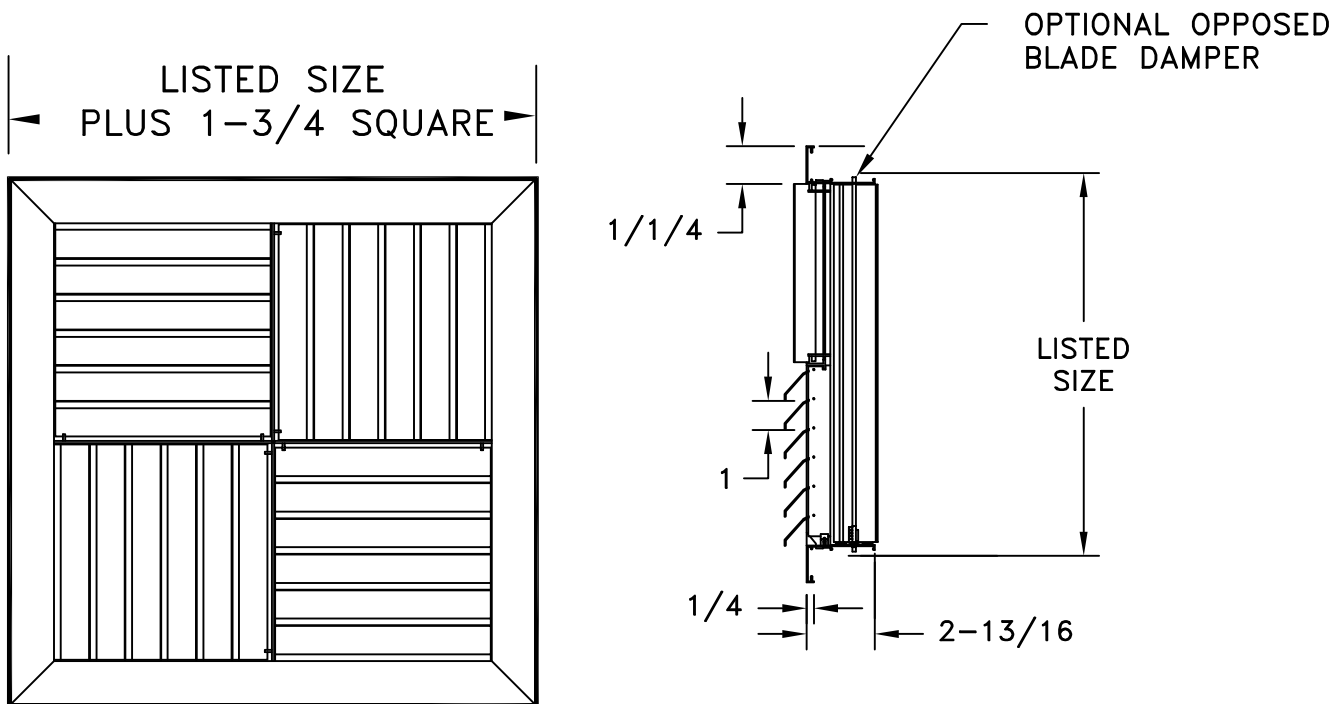


# AIRMATE

## SUBMITTAL DRAWING

- EXTRUDED ALUMINUM CONSTRUCTION
- MODULAR CORES PROVIDE FOUR-WAY, THREE-WAY, TWO-WAY, OR ONE-WAY HORIZONTAL AIR PATTERNS
- REMOVABLE MODULES PROVIDE EASY ACCESS TO ACCESSORIES
- OPTIONAL ALUMINUM OBD AVAILABLE, SPECIFY AS ETB-464-0
- FINISH: WHITE (CW) ENAMEL



JOB NAME: _____	SUBMITTED BY: _____	DATE: 11/01/2013
LOCATION: _____		<b>ETB-464 ETB4640</b>
ARCHITECT: _____		Aluminum
ENGINEER: _____		Adjustable Quadrant Diffuser
CONTRACTOR: _____		Flat Surface Frame