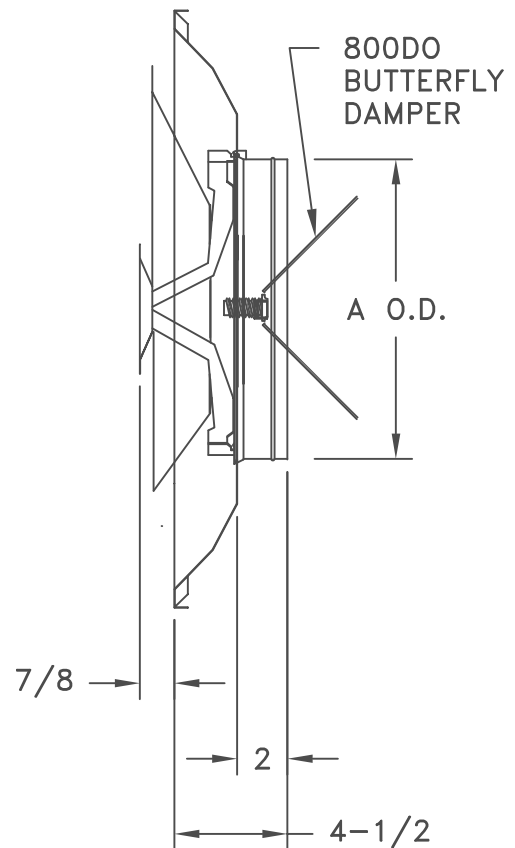
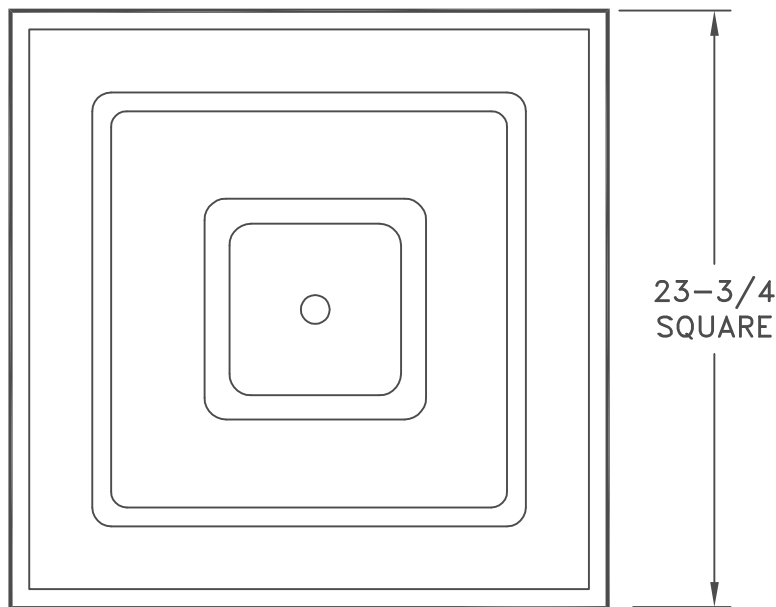


- ALL STEEL CONSTRUCTION
- FITS STANDARD 24' X 24' T-BAR CEILING SYSTEMS
- 800DO STEEL BUTTERFLY DAMPER COMES ATTACHED
- AVAILABLE IN 6-14 INCH NECK SIZES
- FINISH: WHITE (W) ENAMEL



SIZE	A O.D.
6	5-7/8
8	7-7/8
10	9-7/8
12	11-7/8
14	13-7/8

JOB NAME: _____	SUBMITTED BY: _____	DATE: 08/04/2014	AM-1303
LOCATION: _____		1303	
ARCHITECT: _____		Steel	
ENGINEER: _____		2 CONE FACE DIFFUSER WITH	
CONTRACTOR: _____		800DO BUTTERFLY DAMPER	