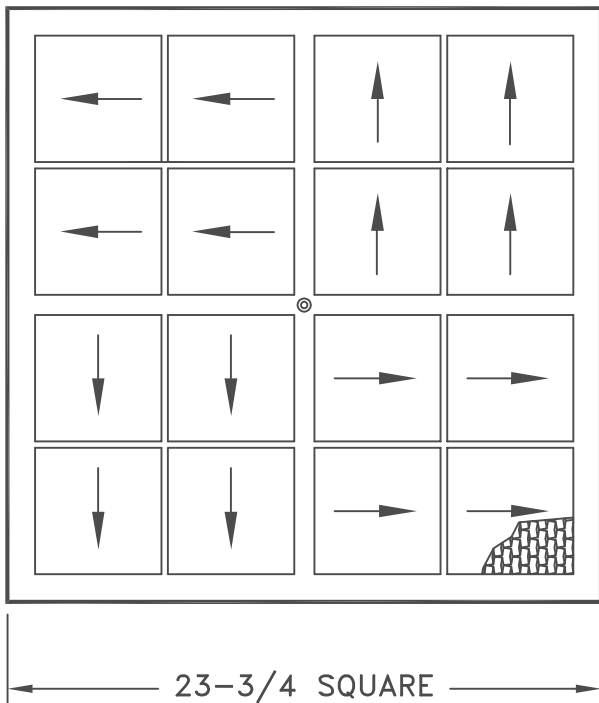
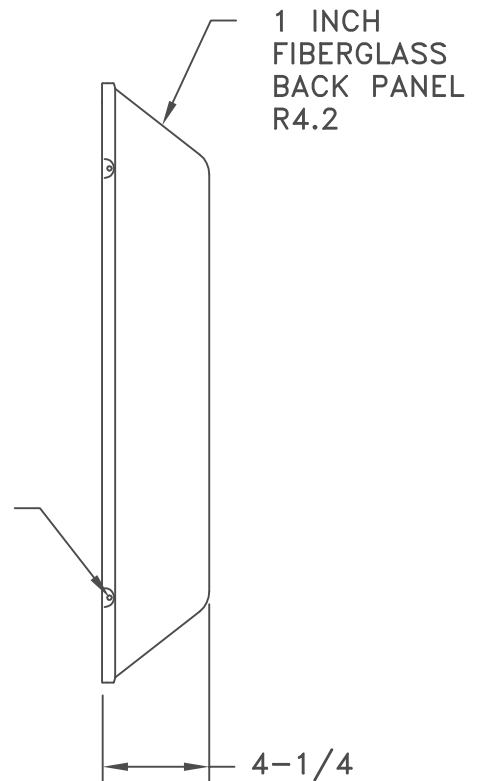


- FITS STANDARD 2' X 2' T-BAR CEILING SYSTEM
- EXCLUSIVE PATENTED DEFLECTOR APERTURES
- BONDED FOIL VAPOR BARRIER HELPS MINIMIZE CONDENSATION PROBLEMS
- FIBERGLASS BACK ABSORBS SOUND
- PRESCORED BACK ACCEPTS 6 TO 14 INCH SPIN OR TAB COLLARS
- FINISH: WHITE (W) ENAMEL

→  
INDICATES AIR FLOW DIRECTION  
(4-WAY SHOWN)



SEISMIC SAFETY CONNECTIONS  
(8 TOTAL  
2 PER SIDE)



JOB NAME: \_\_\_\_\_  
 LOCATION: \_\_\_\_\_  
 ARCHITECT: \_\_\_\_\_  
 ENGINEER: \_\_\_\_\_  
 CONTRACTOR: \_\_\_\_\_

SUBMITTED BY:

DATE: 5/8/2013

**A2204-INS**  
 Face Renovator Series  
 Diffuser with Insulated Back