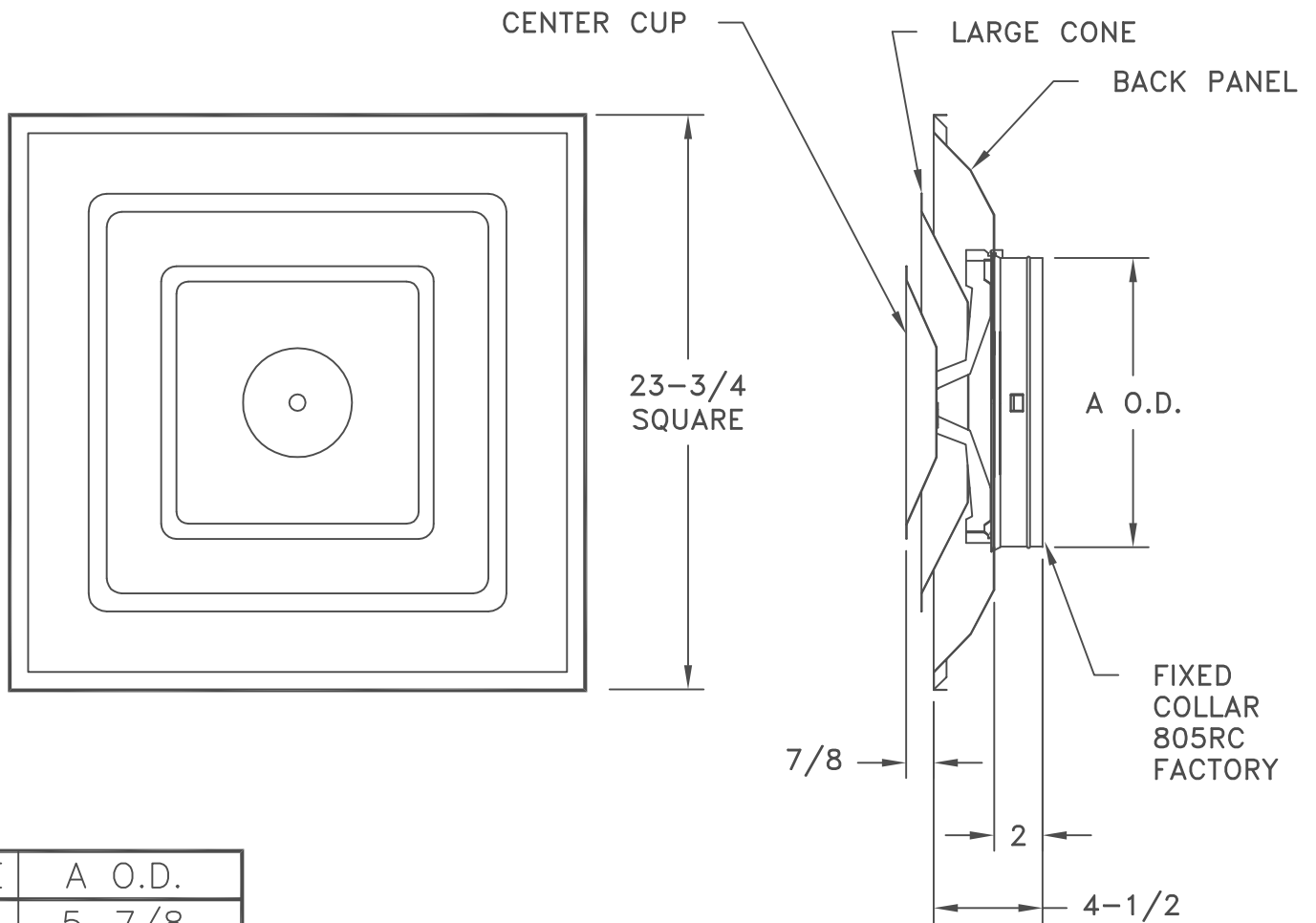


# AIRMATE

# SUBMITTAL DRAWING

- ALL STEEL CONSTRUCTION (ALUMINUM OPTION-A1302)
- FITS STANDARD 2' X 2' T-BAR CEILING SYSTEMS
- AVAILABLE IN 6-14 INCH COLLAR SIZES
- OPTIONAL MODEL 800DO STEEL BUTTERFLY DAMPER, ADJUSTABLE THROUGH THE FACE
- 360° PATTERN FOR HIGH AIR VOLUME DELIVERY
- FINISH: WHITE (W) ENAMEL



SIZE	A O.D.
6	5-7/8
8	7-7/8
10	9-7/8
12	11-7/8
14	13-7/8

JOB NAME: _____	SUBMITTED BY: _____	DATE: 07/29/2014
LOCATION: _____		<b>1302/A1302</b> Steel/Aluminum Fixed Pattern Diffuser
ARCHITECT: _____		
ENGINEER: _____		
CONTRACTOR: _____		