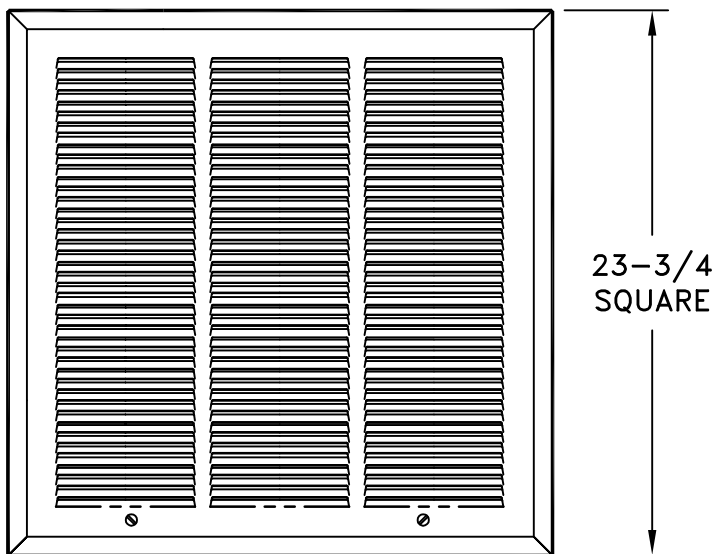
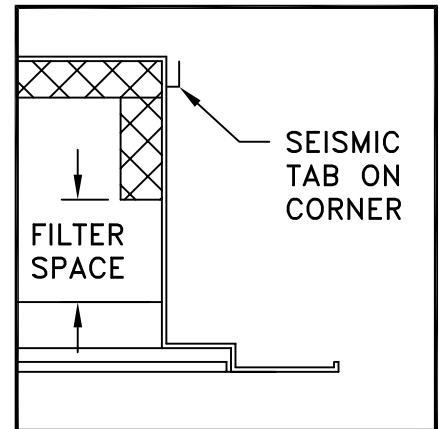
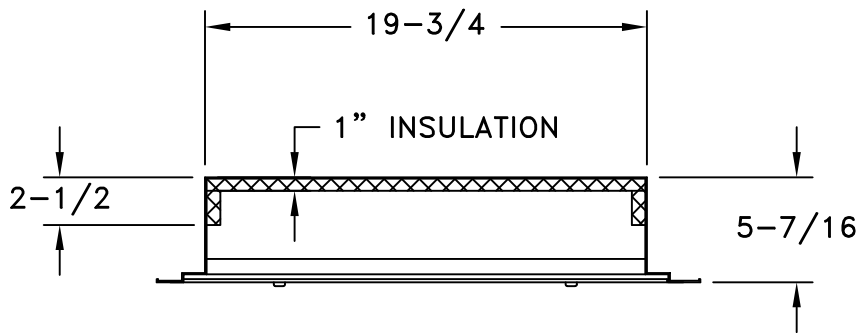


- STEEL CONSTRUCTION
- INSULATED 1" FIBERGLASS PLENUM R4.2 WITH ALUMINUM FOIL BARRIER
- 24" X 24" T-BAR LAY-IN
- STAMPED FACE HAS FINNS ON 1/2" CENTERS AT 35 DEGREE DEFLECTION
- CONCEALED PERMANENT PIANO HINGES
- ACCEPTS STANDARD 20" X 20" X 1" FILTER (NOT INCLUDED)
- EARTHQUAKE TABS INCLUDED
- FIBERGLASS PLENUM TESTED IN COMPLIANCE WITH SURFACE BURNING CHARACTERISTICS (UL 723, ASTM E-84 AND EROSION TEST (UL181))
- STANDARD FINISH IS WHITE



JOB NAME: \_\_\_\_\_  
 LOCATION: \_\_\_\_\_  
 ARCHITECT: \_\_\_\_\_  
 ENGINEER: \_\_\_\_\_  
 CONTRACTOR: \_\_\_\_\_

SUBMITTED BY: \_\_\_\_\_

DATE: **08/09/2013**  
**TB170FF 24 24 CW 4 INS.**  
 T-Bar Filter Grille  
 With R4.2 Fiberglass Plenum