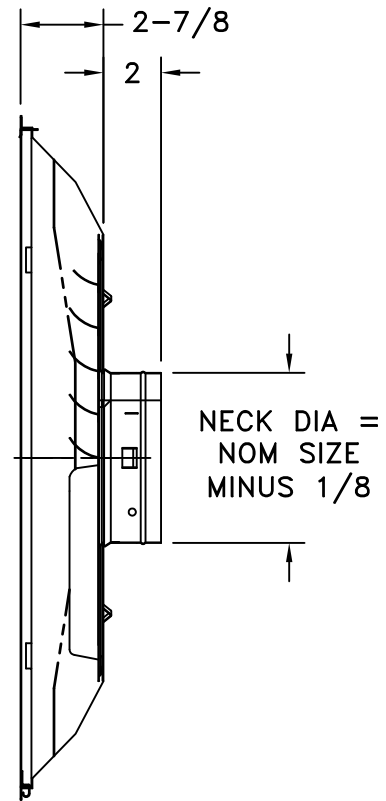
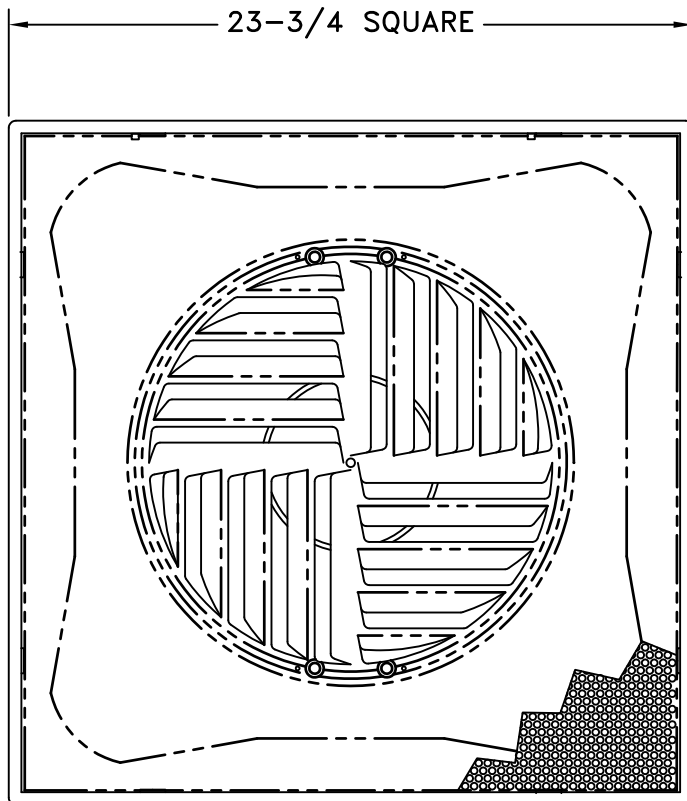
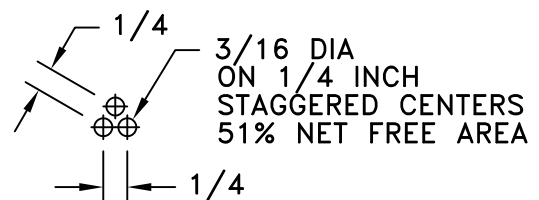


- FITS STANDARD 2' X 2' T-BAR CEILING SYSTEMS
- AVAILABLE IN 6-14 INCH COLLAR SIZES
- HINGED/LATCHED FACE ALLOWS FOR EASY ACCESS TO OPTIONAL DAMPER
- FIXED 4-WAY CURVED DEFLECTORS
- EARTHQUAKE TABS ARE OPTIONAL
- MATCHING 703 RETURN AVAILABLE
- IT IS RECOMMENDED THAT DIFFUSERS INSTALLED IN GRID CEILING SYSTEMS BE SUPPORTED INDEPENDENT OF THE CEILING HARDWARE.
- FINISH: WHITE (W) ENAMEL ON FACE AND BACK



FACE DETAIL



JOB NAME: _____	SUBMITTED BY: _____	DATE: 4/26/11
LOCATION: _____		706 Shallow Back Curved-Blade Perforated Supply
ARCHITECT: _____		
ENGINEER: _____		
CONTRACTOR: _____		