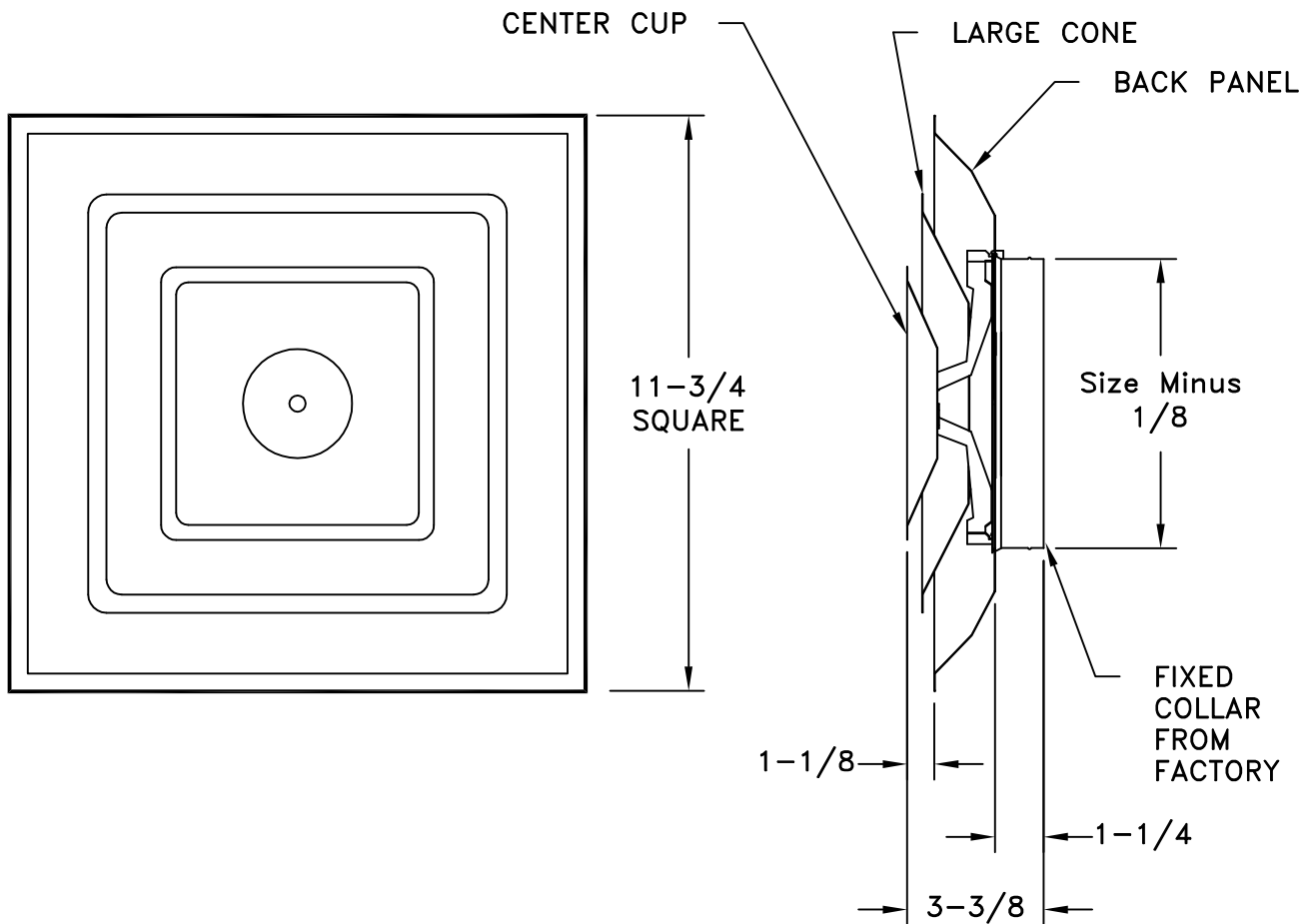


# AIRMATE

## SUBMITTAL DRAWING

- ALL STEEL CONSTRUCTION
- FITS STANDARD 1' X 1' T-BAR CEILING SYSTEMS
- USE PLASTER FRAME 12X12 FOR SURFACE MOUNT APPLICATIONS
- AVAILABLE IN 6, 7, 8 INCH COLLAR SIZES
- OPTIONAL 800RD RADIAL DAMPER ONLY
- 360° PATTERN
- FINISH: WHITE (W) ENAMEL



JOB NAME: _____	SUBMITTED BY: _____	DATE: 11/01/2013
LOCATION: _____		<b>1302-12</b> Steel Fixed Pattern Diffuser
ARCHITECT: _____		
ENGINEER: _____		
CONTRACTOR: _____		